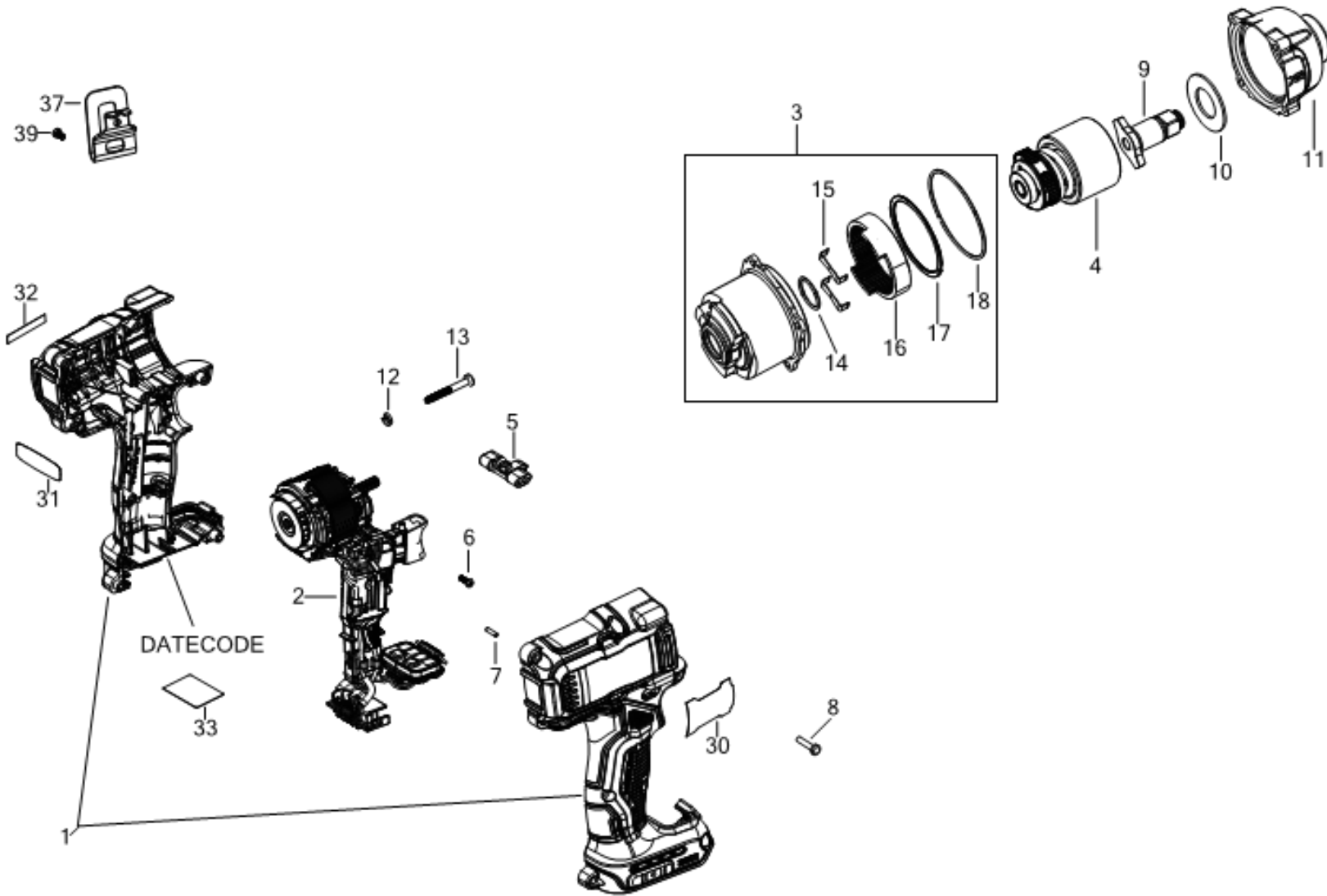






DCF891H2T CORDLESS IMPACT WRENCH 1



- 800 
- 866 
- 871 
- 861 

Parts List DCF891H2T CORDLESS IMPACT WRENCH 1

Item	Part Number	Qty	Part Description	General Description	Other Info	Repair Inst	Markets
1	N896695	1	CLAMSHELL SET			No	QW
2	NA016963	1	MOTOR & SWITCH SA			No	QW
3	NA020584	1	GEARCASE SA			No	QW
4	NA016971	1	IMPACTOR			No	QW
5	N473670	1	ACTUATOR FWD/REV			No	QW
6	N719210	1	SCREW			No	QW
7	N071836	1	ROLL PIN			No	QW
8	330019-04	9	SCREW			No	QW
9	NA142744	1	ANVIL ASSEMBLY		hog ring	No	QW
10	N699996	1	WASHER THRUST			No	QW
11	NA016760	1	NOSE SA			No	QW
12	N529458	4	WASHER LOCK			No	QW
13	N516846	4	SCREW			No	QW
14	N438625	1	O RING			No	QW
15	N484792	2	BEARING PLATE			No	QW
16	N465624	1	GEAR			No	QW
17	N482343	1	RING			No	QW
18	N458130	1	O RING		GEARCASE	No	QW
30	NA006247	1	RATING PLATE		EURO	No	QW
31	NA006997	1	LABEL		BRUSHLES	No	QW
32	NA007356	1	BRAND LABEL		S 18V	No	QW
33	NA006249	1	LABEL		FOOT	No	QW
37	N086039	1	HOOK			No	QW
39	N042665	1	SCREW			No	QW
800	N017298	1	GREASE	G-2008 Molykote		No	QW
801	NA218891	1	NYOGEL 760G	NYE NYOGEL 760G (150		No	QW
861	NA270747	1	KITBOX			No	QW
866	NA283204	1	BATTERY 18V - 5.0AH - 90WH			No	QW
871	NA132878	1	CHARGER	DCB1104-QW		No	QW